

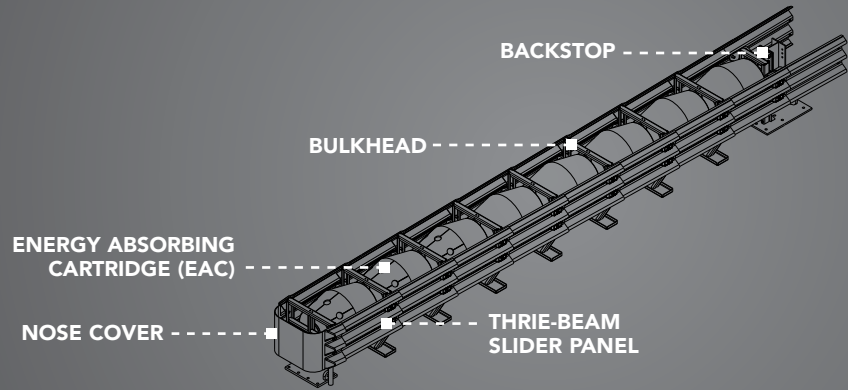
**UNIVERSAL TAU-II®** | REDIRECTIVE, NON-GATING  
CRASH CUSHION - PARTIALLY REUSABLE

- SHIELDS MULTIPLE WIDTH HAZARDS
- PARTIALLY REUSABLE DESIGN
- QUICK AND EASY TO INSTALL
- NCHRP 350 ACCEPTED



**PHYSICAL SPECIFICATIONS**

Classification	R-NG-PR	
TL-3 Length	23' 10"	7.3 m
Width	27 - 102"	0.7 - 3 m
Height	31 ½"	800 mm
TL-3 Weight	2700 lb.	1225 kg
Test Level	NCHRP 350	TL 1/2/3



**DESIGNED TO SHIELD MULTIPLE WIDTH HAZARDS**

The Redirective, Non-Gating, Partially Reusable (R-NG-PR) Universal TAU-II Crash Cushion consists of a full family of systems designed to meet the requirements of NCHRP Report 350, TL-2 & TL-3 to shield almost any width hazard. The system is available in lengths and capacities for both low and high speed applications from 30-75 mph (50-120 km/h). The Universal TAU-II System can shield hazards with widths up to 102" (2.6 m). The Universal TAU-II System is ideally suited for roadway hazards located on the side of a road or in a median. Ease of installation, low profile foundation and numerous transition options make the Universal TAU-II System an ideal crash cushion to shield most roadside and median hazards.

**FREQUENTLY ASKED QUESTIONS**

**What components of the Universal TAU-II System need to be replaced after a design impact?**

Typically only the damaged cartridges will need to be replaced. The nose and slider panels are designed to withstand multiple design impacts.

**What type of foundation is needed for the Universal TAU-II System?**

A 6" (152 mm) reinforced concrete pad is required. The Universal TAU-II System can also be ordered to be installed on asphalt.

**What transitions are available?**

Since Universal TAU-II transitions are non-proprietary, all approved thrie-beam barrier transitions will work with the system.

**Can the TAU-II System be used for low and high speeds?**

The Universal TAU-II System is designed for speeds from 31 to 75 mph (50 to 120 km/h).

**FEATURES**

- » High speed designs available
- » Minimum number of anchors needed to secure the system
- » Can be installed over bridge expansion joints
- » Low profile foundation ideal for deployment on bridge decks
- » Numerous transition options
- » Standard reusable nose
- » Designed for use with standard, thrie beam transitions

**DISTRIBUTED BY:**



Lindsay Transportation Solutions Sales and Services, Inc.

180 River Road • Rio Vista, CA 94571 • +1 707.374.6800 U.S. Toll Free: 888.800.3691 • www.barrriersystemsinc.com

General details for the Universal TAU-II System are subject to change without notice to reflect improvements and upgrades.

Additional information is available from Lindsay Transportation Solutions Sales and Services, Inc. © Lindsay Transportation Solutions, Inc.

PT # TAU04-03252013