

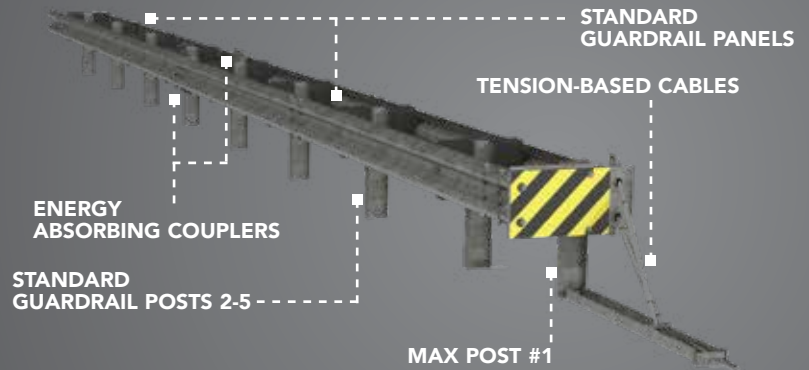
MAX-TENSION™ MEDIAN I REDIRECTIVE GATING, GUARDRAIL TERMINAL
WITH SABERTOOTH™ TECHNOLOGY

- EASY INSTALLATION
- AVAILABLE AS A KIT OR SYSTEM
- MASH TL-3 COMPLIANT



PHYSICAL SPECIFICATIONS

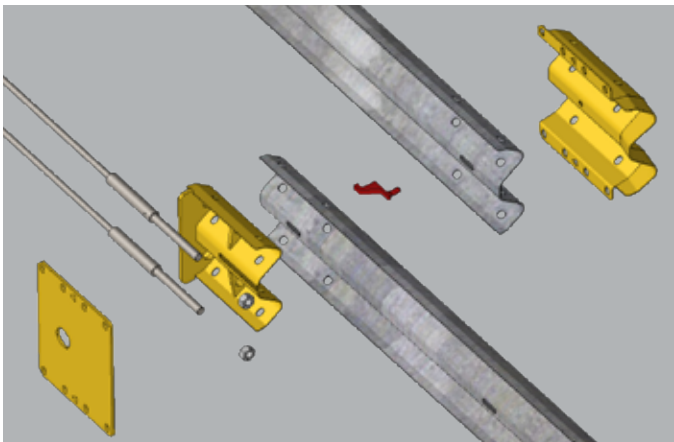
MASH Classification	TL-3, Redirective Gating	
System Length	27'	8.22 m
Effective Length	50'	15.25 m
System Width	28.5"	720 mm
Impact Head Width	30"	760 mm
Impact Head Weight	99 lb.	45 kg
Length of Need	9' 4"	2.81 m



THE MASH TL-3 MEDIAN GATING END TERMINAL

The MASH tested MAX-Tension™ Median Terminal, with Sabertooth™ Technology, features the next level of impact performance. The system utilizes a tension-based design along with an energy absorbing coupler that features a cutting tooth design. When impacted head-on, deceleration is controlled by friction developed in the tension cables and by cutting the downstream guardrail panels. When a side impact occurs, tension cables can help safely redirect a motorist away from the hazard.

The MAX-Tension Median Terminal also utilizes standard guardrail components for significant savings in inventory and maintenance costs. In addition, a majority of smart-parts are interchangeable within the MAX-Tension family of end terminals to lower inventory costs even further.



The MAX-Tension Energy Absorbing Coupler (gold) is fitted with a patent pending galvanized Sabertooth (red). When the system is impacted head-on, the Sabertooth is engineered to cut the downstream guardrail to aid in the deceleration of an errant vehicle.

FEATURES

- » Tension-based cables control deceleration and increase re-redirective performance.
- » SABERTOOTH technology increases energy absorbing capacity and weakens the downstream guardrail rail to help reduce the severity of impacts.
- » Vehicle stopping distance is under 27' 6" [8.4 m] (MASH 3-31).
- » Available as a kit or full system, utilizes standard guardrail panels, posts and components after post 1.

WHERE TO USE

In medians or central reservations where a recommended clear zone and recoverable slope is attainable.

DISTRIBUTED BY:



Lindsay Transportation Solutions Sales and Services, Inc.

180 River Road • Rio Vista, CA 94571 • +1 707.374.6800 U.S. Toll Free: 888.800.3691 • www.barrriersystemsinc.com

General details for the MAX-Tension Median Terminal are subject to change without notice to reflect improvements and upgrades.

Additional information is available from Lindsay Transportation Solutions Sales and Services, Inc. © Lindsay Transportation Solutions, Inc.

PT # MAXMED01-01052018